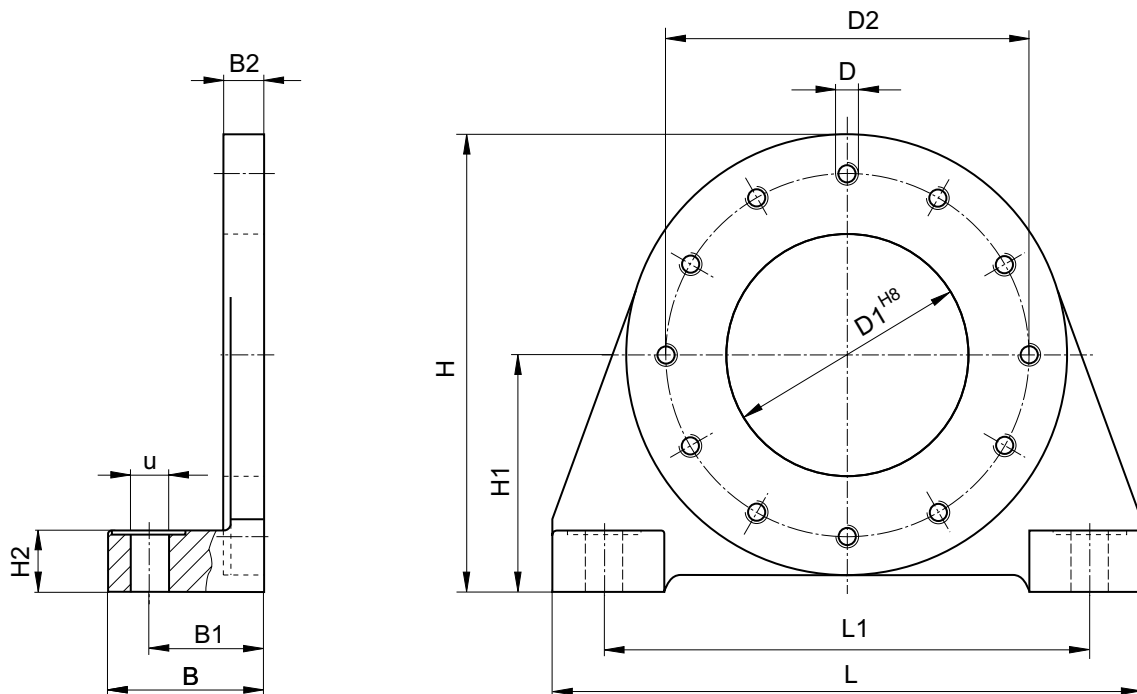


Bearing Support Blocks LBZR / LBZA

Special Features

- Bearing support blocks for the force sensors BZA1, 2, 3; BZN1, 2, 3, 4 and BZR4
- 12 drilled holes for sensor mounting equally spaced at a 30° pitch
- Surface protection with multiple metallic layer coating



Dimensions in mm (1 mm = 0.03937 inches)

Size	Suitable for	B	B1	B2	D1H8	D2	D	H	H1	H2	L	L1	u
LBZR1	BZA1 BZN1	40	25,5	10	60	90	M6	109	56	14	140	115	9
LBZR2	BZA2 BZN2	45	33,0	13	70	105	M6	130	67	18	170	140	11
LBZR3	BZN3	70	47,5	19	100	155	M8	178	90	24	240	195	18
LBZA3	BZA3	70	47,5	19	100	167	M8	188	95	24	240	195	18
LBZR4	BZN4 BZR4	90	57,5	24	130	200	M10	232	118	30	290	240	22