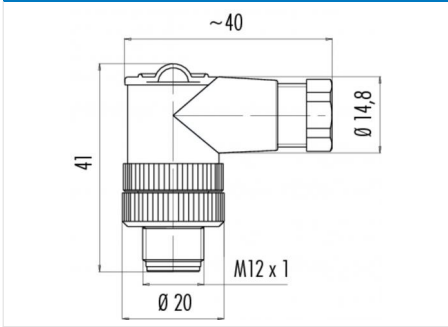


Product	<b>Contacts: 5, cable outlet: 4-6 mm, male angled connector, plastic lock, screw terminal connection, UL approval</b>
Area	<b>M12-A Series 713</b>
Article number	<b>99 0437 44 05</b>

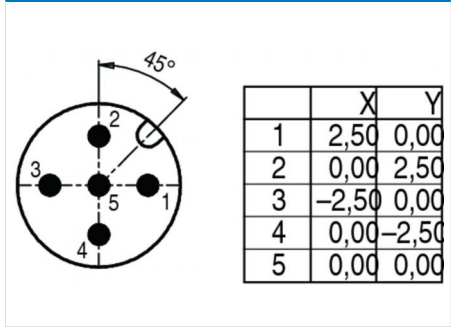
**Illustration**



**Scale drawing**



**Contact Arrangement**



You can find the item description and assembly instruction on the next page.

**Technical data**

**General features**

Connector Design	male angled connector
Connector locking system	bolted
Termination	screw clamp
Wire gauge (mm)	0,75 mm <sup>2</sup>
Wire gauge (AWG)	(18)
Cable outlet	4,0 - 6,0 mm
Upper temperature	85 °C
Lower temperature	-40 °C

**Cable data**

Approval 1	UL
------------	----

**Electrical parameters**

Rated current (40°C)	4 A (3 A UL)
Rated voltage	60 V
Rated impulse voltage	800 V
Pollution degree	3
Overvoltage category	II
Material group	III
Volume resistivity	≤ 8 mΩ
Insulation resistance	>10 <sup>8</sup> Ω
EMV compliance	not shielded
Degree of protection	IP67
Mechanical operation	> 50 Mating cycles

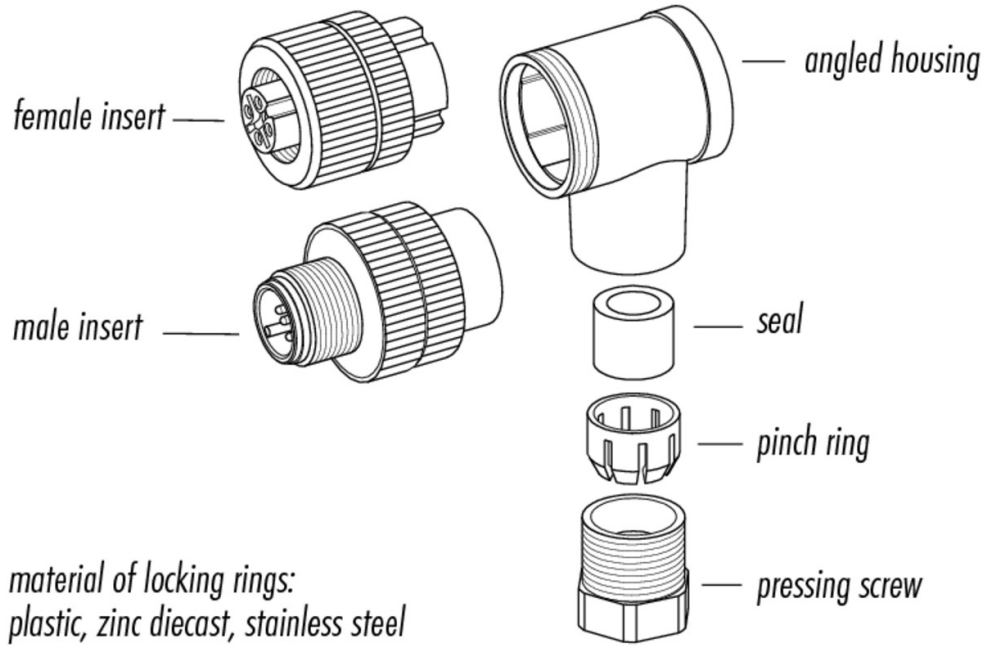
**Material**

Material of contact	CuZn (brass)
Contact plating	CuSnZn (Optalloy)
Material of contact body	PA
Material of housing	PA

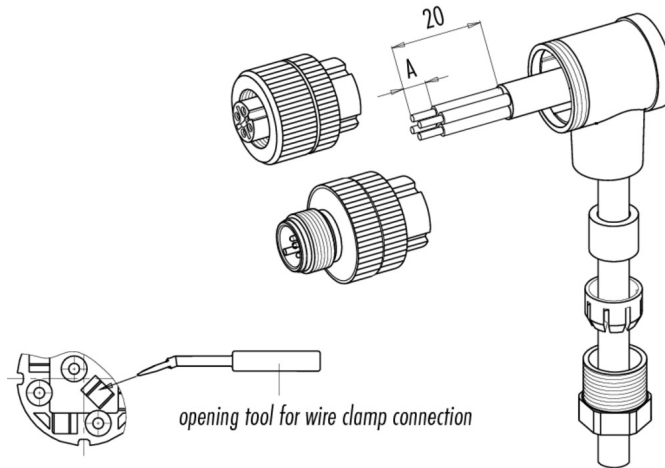
Product **Contacts: 5, cable outlet: 4-6 mm, male angled connector, plastic lock, screw terminal connection, UL approval**

Area **M12-A Series 713**  
 Article number **99 0437 44 05**

Item description



Installation instructions / Mounting cutout



	screw connection	solder version	wire clamp connection
measure A/mm	<b>5</b>	<b>3,5</b>	<b>7</b>

material of locking rings: plastic, zinc diecast, stainless steel

Product	<b>Contacts: 5, cable outlet: 4-6 mm, male angled connector, plastic lock, screw terminal connection, UL approval</b>
Area	<b>M12-A Series 713</b>
Article number	<b>99 0437 44 05</b>

## Security notices

The connectors are designed for use in plant, control system and electrical equipment. The end user is responsible for checking whether the connectors are suitable for use in other applications.

Connectors with degree of protection IP 67 and IP 68 are not suitable for use under water. When used outdoors, the connectors must be separately protected against corrosion. For further information about IP degrees of protection refer to 'Technical support' in the Download Centre.

To lock the cable connector to the equipment connector, the threaded ring is tightened until it is 'finger-tight' (approx. 50 cNm).