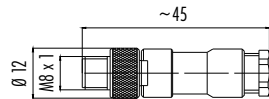


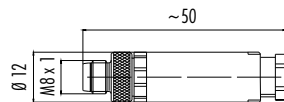


- Screw locking acc. to DIN EN 61076-2-104
- Degree of protection IP67
- Moulded versions
- Easy Assembly
- Excellent EMC shielding (versions with shielding rings 360°)
- Versions with shielding rings/iris type spring
- Angled connectors adjustable in 2/4 positions

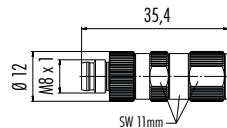
| Description | Drawing | Contacts | Cable outlet | Ordering-No. |
|------------------------------|---------|----------|--------------|---------------|
| Male cable connector, solder | | 3 | 3,5–5 mm | 99 3379 00 03 |
| | | 4 | | 99 3383 00 04 |



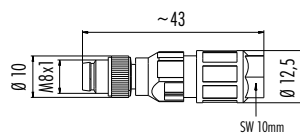
| | | | | |
|-----------------------------|--|---|----------|----------------|
| Male cable connector, screw | | 3 | 3,5–5 mm | 99 3379 100 03 |
| | | 4 | | 99 3383 100 04 |



| | | | | |
|-------------------------------|--|---|--------|----------------|
| Male cable connector, biatec® | | 3 | 3–5 mm | 99 3379 400 03 |
| | | 4 | | 99 3383 400 04 |



| Description | Contacts | Wire gauge | Ordering-No. |
|-------------|----------|---------------------------|----------------|
| | | | |
| | 4 | 0,25–0,5 mm ² | 99 3379 550 03 |
| | | 0,08–0,25 mm ² | 99 3383 500 04 |
| | | 0,25–0,5 mm ² | 99 3383 550 04 |



NEW



| Specifications | Cable connector |
|----------------------|--|
| Contacts | 3 4 |
| Wire gauge | solder 0,25 mm ² (AWG 24), screw 0,14 mm ² –0,5 mm ² (AWG 26–20), biatec® 0,14–0,38 mm ² (AWG 26–22) |
| Mechanical operation | > 100 Mating cycles |
| Temperature range | solder, screw –40 °C /+ 80 °C, screw clamp, biatec® –25 °C /+ 80 °C, moulded –25 °C /+ 85 °C |
| Rated voltage | 60 V (30 V UL) |
| Pollution degree | 3 |
| Rated current (40°C) | 4 A |
| Contact plating | Au (Gold) |
| Material of housing | PBT/PA/CuZn (brass) |

| Description | Drawing | Contacts | Cable outlet | Ordering-No. |
|--|---------|----------|--------------|---------------|
| Male cable connector, solder, shieldable | | 3 | 2-3,5 mm | 99 3361 25 03 |
| | | | 3,5-5 mm | 99 3361 00 03 |
| | | 4 | 2-3,5 mm | 99 3363 25 04 |
| | | | 3,5-5 mm | 99 3363 00 04 |

NEW

| | | | |
|---|---|------------|----------------|
| Male cable connector, screw clamp termination, iris type spring, shieldable | 3 | | 99 3361 100 03 |
| | 4 | 3,5-5,5 mm | 99 3363 100 04 |

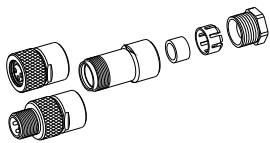


| | | | |
|---|---|--------|----------------|
| Male cable connector, screw clamp termination, shieldable | 3 | 6-8 mm | 99 3361 300 03 |
| | 4 | | 99 3363 300 04 |



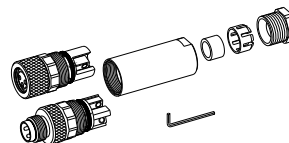
Component part drawing/Assembly instruction

Cable connector, solder



Female insert/
Male insert
Sleeve
Seal
Pinch ring
Pressing screw

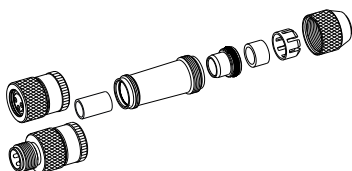
Cable connector, screw



Female insert/
Male insert
Sleeve
Seal
Pinch ring
Pressing screw

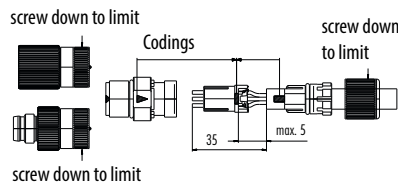
Hexagonal nut added

Cable connector, solder, shieldable

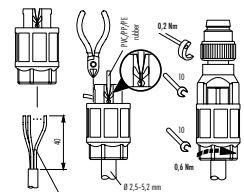


Female insert/
Male insert
Insulation sleeve
Sleeve
Shielding ring
O-ring
Seal
Pinch ring
Pressing screw

Cable connector, biatec®

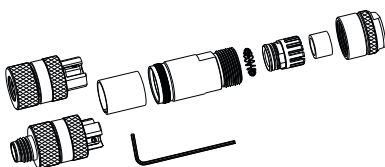


Cable connector, IDT connection



Wire cross section
0,08-0,25 mm², 0,25-0,50 mm²

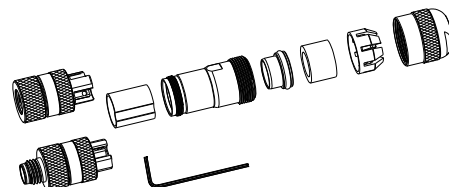
Cable connector, screw clamp termination, iris type spring, shieldable



Female insert/
Male insert
Insulating sleeve,
Housing, Iris type spring,
O-ring, Pinch ring, Seal,
Pressing screw
are premounted

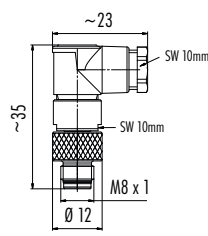
Hexagonal nut added

Cable connector, screw clamp termination, shieldable

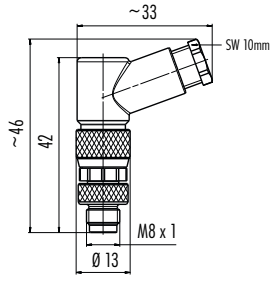


Female insert/
Male insert
Insulating sleeve,
Housing,
Shielding ring, O-ring,
Seal, Pinch ring,
Pressing screw
are premounted

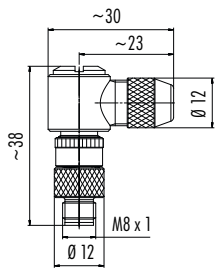
Hexagonal nut added

| Description | Drawing | Contacts | Cable outlet | Ordering-No. |
|-------------------------------|---|----------|--------------|---------------|
| Male angled connector, solder |  | 3 | 3,5–5 mm | 99 3385 00 03 |
| | | 4 | | 99 3387 00 04 |



| | | | | |
|--|---|---|----------|----------------|
| Male angled connector, screw clamp termination |  | 3 | 3,5–5 mm | 99 3379 110 03 |
| | | 4 | | 99 3383 110 04 |

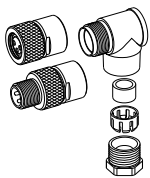


| | | | | |
|---|--|---|----------|---------------|
| Male angled connector, solder, shieldable |  | 3 | 3,5–5 mm | 99 3365 00 03 |
| | | 4 | | 99 3367 00 04 |



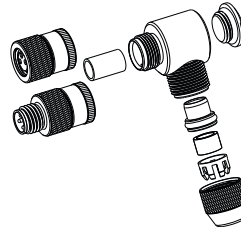
Component part drawing

Angled connector, solder



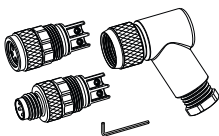
Female insert/
Male insert
Angled housing
Seal
Pinch ring
Pressing screw
Cable outlet adjustable
in 4 positions

Angled connector, solder, shieldable



Female insert/
Male insert
Insulation sleeve
Angled housing
Locking screw
O-ring, Shielding ring
O-ring, Seal
Pinch ring
Pressing screw
Cable outlet adjustable
in 4 positions

Angled connector, screw


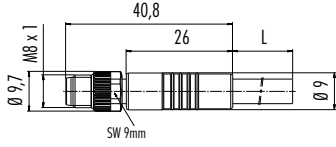


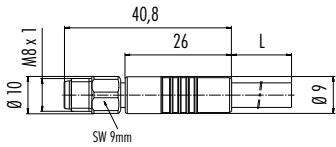


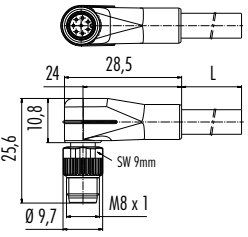


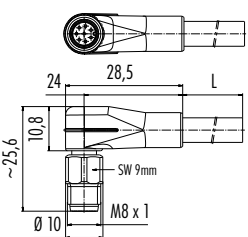



Female insert/
Male insert
Angled housing
Cable outlet adjustable
in 2 positions

Hexagonal nut added

Colour of wire, moulded cable and panel mount connectors

| 3 contacts | 4, 5, 6 contacts | 8 contacts |
|-----------------|------------------|------------|
| 1 brown | 1 brown | 1 white |
| 2 not connected | 2 white | 2 brown |
| 3 blue | 3 blue | 3 green |
| 4 black | 4 black | 4 yellow |
| | 5 grey | 5 grey |
| | 6 pink | 6 pink |
| | | 7 blue |
| | | 8 red |

| Description | Drawing | Contacts | Cable jacket | Cable length | Ordering-No. | |
|---|---|----------|--------------|--------------|-------------------------|-------------------------|
| Male cable connector, moulded, screw version, M8 x 1 |    | 3 x 0,34 | PVC | 2 m | 77 3405 0000 20003-0200 | |
| | | | | | 5 m | 77 3405 0000 20003-0500 |
| | | | PUR | 2 m | 77 3405 0000 50003-0200 | |
| | | | | | 5 m | 77 3405 0000 50003-0500 |
| | | 4 x 0,34 | PVC | 2 m | 77 3405 0000 20004-0200 | |
| | | | | | 5 m | 77 3405 0000 20004-0500 |
| | | | PUR | 2 m | 77 3405 0000 50004-0200 | |
| | | | | | 5 m | 77 3405 0000 50004-0500 |
| | | 6 x 0,25 | PUR | 2 m | 77 3405 0000 50006-0200 | |
| | | | | | 5 m | 77 3405 0000 50006-0500 |
| | | | 8 x 0,25 | PUR | 2 m | 77 3405 0000 50008-0200 |
| | | | | | | 5 m |
| Male cable connector, moulded, screw version, M8 x 1, stainless steel locking ring |    | 3 x 0,34 | | PVC | 2 m | 77 3705 0000 20003-0200 |
| | | | | | | 5 m |
| | | | PUR | 2 m | 77 3705 0000 50003-0200 | |
| | | | | | 5 m | 77 3705 0000 50003-0500 |
| | | 4 x 0,34 | PVC | 2 m | 77 3705 0000 20004-0200 | |
| | | | | | 5 m | 77 3705 0000 20004-0500 |
| | | | PUR | 2 m | 77 3705 0000 50004-0200 | |
| | | | | | 5 m | 77 3705 0000 50004-0500 |
| | | 6 x 0,25 | PUR | 2 m | 77 3705 0000 50006-0200 | |
| | | | | | 5 m | 77 3705 0000 50006-0500 |
| | | | 8 x 0,25 | PUR | 2 m | 77 3705 0000 50008-0200 |
| | | | | | | 5 m |
| Male angled connector, moulded, screw version, M8 x 1 |    | 3 x 0,34 | | PVC | 2 m | 77 3403 0000 20003-0200 |
| | | | | | | 5 m |
| | | | PUR | 2 m | 77 3403 0000 50003-0200 | |
| | | | | | 5 m | 77 3403 0000 50003-0500 |
| | | 4 x 0,34 | PVC | 2 m | 77 3403 0000 20004-0200 | |
| | | | | | 5 m | 77 3403 0000 20004-0500 |
| | | | PUR | 2 m | 77 3403 0000 50004-0200 | |
| | | | | | 5 m | 77 3403 0000 50004-0500 |
| | | 6 x 0,25 | PUR | 2 m | 77 3403 0000 50006-0200 | |
| | | | | | 5 m | 77 3403 0000 50006-0500 |
| | | | 8 x 0,25 | PUR | 2 m | 77 3403 0000 50008-0200 |
| | | | | | | 5 m |
| Male angled connector, moulded, screw version, M8 x 1, stainless steel locking ring |    | 3 x 0,34 | | PVC | 2 m | 77 3703 0000 20003-0200 |
| | | | | | | 5 m |
| | | | PUR | 2 m | 77 3703 0000 50003-0200 | |
| | | | | | 5 m | 77 3703 0000 50003-0500 |
| | | 4 x 0,34 | PVC | 2 m | 77 3703 0000 20004-0200 | |
| | | | | | 5 m | 77 3703 0000 20004-0500 |
| | | | PUR | 2 m | 77 3703 0000 50004-0200 | |
| | | | | | 5 m | 77 3703 0000 50004-0500 |
| | | 6 x 0,25 | PUR | 2 m | 77 3703 0000 50006-0200 | |
| | | | | | 5 m | 77 3703 0000 50006-0500 |
| | | | 8 x 0,25 | PUR | 2 m | 77 3703 0000 50008-0200 |
| | | | | | | 5 m |

| Specifications | Cable connector, moulded | | | |
|----------------------|-------------------------------|---|-------------------------------|---|
| Contacts | 3 | 4 | 6 | 8 |
| Wire gauge | 0,34 mm ² (AWG 22) | | 0,25 mm ² (AWG 24) | |
| Mechanical operation | > 100 Mating cycles | | | |
| Temperature range | -25 °C / + 85 °C | | | |
| Rated voltage | 60 V, 10-30 V with LED | | 30 V | |
| Pollution degree | 3 | | | |
| Rated current (40°C) | 4 A | | 1,5 A | |
| Contact plating | Au (Gold) | | | |
| Material of housing | PUR | | | |

| Specifications | Standard Cable | | | |
|--------------------|---|-----------------------------------|-----------------------------------|-----------------------------------|
| Contacts | 3 | 4 | 6 | 8 |
| Wire gauge | 3 x 0,34 mm ² (AWG 22) | 4 x 0,34 mm ² (AWG 22) | 6 x 0,25 mm ² (AWG 24) | 8 x 0,25 mm ² (AWG 24) |
| Material jacket | PVC | PUR | PVC | PUR |
| Insulation of wire | PVC | PP | PVC | PP |
| Remark | In chain flex application or when stressed mechanically +60 °C. | | | |
| Approval | UL/CSA | | | |
| UL-style | PVC: AWM 2517 PUR: AWM 20549 | | | |

¹⁾ Standard cable length is 2 m/5 m. Other length on request.

| Description | Drawing | Contacts | Cable outlet | Ordering-No. |
|--------------------------------|---------|----------|--------------|---------------|
| Female cable connector, solder | | 3 | 3,5–5 mm | 99 3400 00 03 |
| | | 4 | | 99 3376 00 04 |



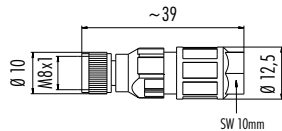
| | | | | |
|-------------------------------|--|---|----------|----------------|
| Female cable connector, screw | | 3 | 3,5–5 mm | 99 3400 100 03 |
| | | 4 | | 99 3376 100 04 |



| | | | | |
|---------------------------------|--|---|--------|----------------|
| Female cable connector, biatec® | | 3 | 3–5 mm | 99 3400 400 03 |
| | | 4 | | 99 3376 400 04 |



| Description | Contacts | Wire gauge | Ordering-No. |
|-------------|----------|---|----------------------------------|
| | | Female cable connector, IDT connection | 3 |
| | 4 | 0,08–0,25 mm ² 0,25–0,5 mm ² | 99 3376 500 04 99 3376 550 04 |



NEW



Contact arrangements male insert (mating side)

3 contacts 4 contacts 5 contacts 6 contacts 8 contacts



Contact arrangements female insert (mating side)



Colour of wire, moulded cable and panel mount connectors

| 3 contacts | 4, 5, 6 contacts | 8 contacts |
|-----------------|------------------|------------|
| 1 brown | 1 brown | 1 white |
| 2 not connected | 2 white | 2 brown |
| 3 blue | 3 blue | 3 green |
| 4 black | 4 black | 4 yellow |
| | 5 grey | 5 grey |
| | 6 pink | 6 pink |
| | | 7 blue |
| | | 8 red |

| Description | Drawing | Contacts | Cable outlet | Ordering-No. |
|--|---------|----------|--------------|---------------|
| Female cable connector, solder, shieldable | | 3 | 2-3,5 mm | 99 3360 25 03 |
| | | | 3,5-5 mm | 99 3360 00 03 |
| | | 4 | 2-3,5 mm | 99 3362 25 04 |
| | | | 3,5-5 mm | 99 3362 00 04 |

NEW

| | | | |
|---|---|------------|----------------|
| Female cable connector, screw clamp termination, iris type spring, shieldable | 3 | | 99 3360 100 03 |
| | 4 | 3,5-5,5 mm | 99 3362 100 04 |



| | | | |
|---|---|--------|----------------|
| Female cable connector, screw clamp termination, shieldable | 3 | | 99 3360 300 03 |
| | 4 | 6-8 mm | 99 3362 300 04 |



| | | | |
|---------------------------------|---|----------|---------------|
| Female angled connector, solder | 3 | | 99 3402 00 03 |
| | 4 | 3,5-5 mm | 99 3378 00 04 |



| | | | |
|--|---|----------|----------------|
| Female angled connector, screw clamp termination | 3 | | 99 3400 110 03 |
| | 4 | 3,5-5 mm | 99 3376 110 04 |



| | | | |
|---|---|----------|---------------|
| Female angled connector, solder, shieldable | 3 | | 99 3364 00 03 |
| | 4 | 3,5-5 mm | 99 3366 00 04 |



Description

Drawing

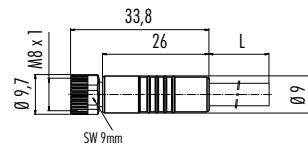
Contacts

Cable jacket

Cable length

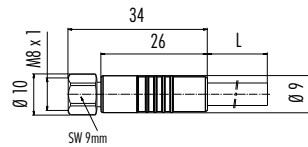
Ordering-No.

Female cable connector, moulded, screw version, M8 x 1



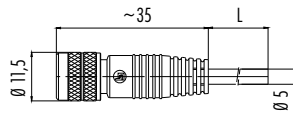
| Contacts | Cable jacket | Cable length | Ordering-No. |
|----------|--------------|--------------|-------------------------|
| 3 x 0,34 | PVC | 2 m | 77 3406 0000 20003-0200 |
| | | 5 m | 77 3406 0000 20003-0500 |
| | PUR | 2 m | 77 3406 0000 50003-0200 |
| | | 5 m | 77 3406 0000 50003-0500 |
| 4 x 0,34 | PVC | 2 m | 77 3406 0000 20004-0200 |
| | | 5 m | 77 3406 0000 20004-0500 |
| | PUR | 2 m | 77 3406 0000 50004-0200 |
| | | 5 m | 77 3406 0000 50004-0500 |
| 6 x 0,25 | PUR | 2 m | 77 3406 0000 50006-0200 |
| | | 5 m | 77 3406 0000 50006-0500 |
| 8 x 0,25 | PUR | 2 m | 77 3406 0000 50008-0200 |
| | | 5 m | 77 3406 0000 50008-0500 |

Female cable connector, moulded, screw version, M8 x 1, stainless steel locking ring



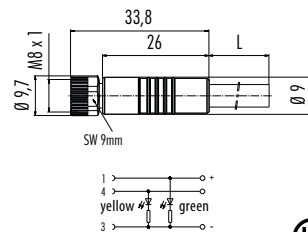
| Contacts | Cable jacket | Cable length | Ordering-No. |
|----------|--------------|--------------|-------------------------|
| 3 x 0,34 | PVC | 2 m | 77 3706 0000 20003-0200 |
| | | 5 m | 77 3706 0000 20003-0500 |
| | PUR | 2 m | 77 3706 0000 50003-0200 |
| | | 5 m | 77 3706 0000 50003-0500 |
| 4 x 0,34 | PVC | 2 m | 77 3706 0000 20004-0200 |
| | | 5 m | 77 3706 0000 20004-0500 |
| | PUR | 2 m | 77 3706 0000 50004-0200 |
| | | 5 m | 77 3706 0000 50004-0500 |
| 6 x 0,25 | PUR | 2 m | 77 3706 0000 50006-0200 |
| | | 5 m | 77 3706 0000 50006-0500 |
| 8 x 0,25 | PUR | 2 m | 77 3706 0000 50008-0200 |
| | | 5 m | 77 3706 0000 50008-0500 |

Female cable connector, moulded, screw version, M8 x 1, shielded



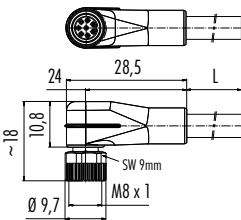
| Contacts | Cable jacket | Cable length | Ordering-No. |
|----------|--------------|--------------|-------------------------|
| 3 x 0,34 | PVC | 2 m | 77 3506 0000 50003-0200 |
| | | 5 m | 77 3506 0000 50003-0500 |
| | PUR | 2 m | 77 3506 0000 50003-0200 |
| | | 5 m | 77 3506 0000 50003-0500 |
| 4 x 0,34 | PUR | 2 m | 77 3506 0000 50004-0200 |
| | | 5 m | 77 3506 0000 50004-0500 |

Female cable connector, moulded, screw version, M8 x 1, LED, PNP



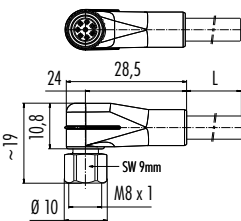
| Contacts | Cable jacket | Cable length | Ordering-No. |
|----------|--------------|--------------|-------------------------|
| 3 x 0,34 | PVC | 2 m | 77 3606 0000 20003-0200 |
| | | 5 m | 77 3606 0000 20003-0500 |
| | PUR | 2 m | 77 3606 0000 50003-0200 |
| | | 5 m | 77 3606 0000 50003-0500 |

Female angled connector, moulded, screw version, M8 x 1



| Contacts | Cable jacket | Cable length | Ordering-No. |
|----------|--------------|--------------|-------------------------|
| 3 x 0,34 | PVC | 2 m | 77 3408 0000 20003-0200 |
| | | 5 m | 77 3408 0000 20003-0500 |
| | PUR | 2 m | 77 3408 0000 50003-0200 |
| | | 5 m | 77 3408 0000 50003-0500 |
| 4 x 0,34 | PVC | 2 m | 77 3408 0000 20004-0200 |
| | | 5 m | 77 3408 0000 20004-0500 |
| | PUR | 2 m | 77 3408 0000 50004-0200 |
| | | 5 m | 77 3408 0000 50004-0500 |
| 6 x 0,25 | PUR | 2 m | 77 3408 0000 50006-0200 |
| | | 5 m | 77 3408 0000 50006-0500 |
| 8 x 0,25 | PUR | 2 m | 77 3408 0000 50008-0200 |
| | | 5 m | 77 3408 0000 50008-0500 |

Female angled connector, moulded, screw version, M8 x 1, stainless steel locking ring

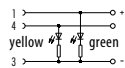
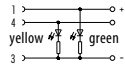


| Contacts | Cable jacket | Cable length | Ordering-No. |
|----------|--------------|--------------|-------------------------|
| 3 x 0,34 | PVC | 2 m | 77 3708 0000 20003-0200 |
| | | 5 m | 77 3708 0000 20003-0500 |
| | PUR | 2 m | 77 3708 0000 50003-0200 |
| | | 5 m | 77 3708 0000 50003-0500 |
| 4 x 0,34 | PVC | 2 m | 77 3708 0000 20004-0200 |
| | | 5 m | 77 3708 0000 20004-0500 |
| | PUR | 2 m | 77 3708 0000 50004-0200 |
| | | 5 m | 77 3708 0000 50004-0500 |
| 6 x 0,25 | PUR | 2 m | 77 3708 0000 50006-0200 |
| | | 5 m | 77 3708 0000 50006-0500 |
| 8 x 0,25 | PUR | 2 m | 77 3708 0000 50008-0200 |
| | | 5 m | 77 3708 0000 50008-0500 |

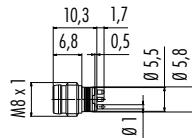
| Description | Drawing | Contacts | Cable jacket | Cable length | Ordering-No. |
|---|---------|----------|--------------|--------------|-------------------------|
| Female angled connector, moulded, screw version, M8 x 1, shielded | | 3 x 0,34 | PUR | 2 m | 77 3508 0000 50003-0200 |
| | | | | 5 m | 77 3508 0000 50003-0500 |
| | | 4 x 0,34 | | 2 m | 77 3508 0000 50004-0200 |
| | | | | 5 m | 77 3508 0000 50004-0500 |



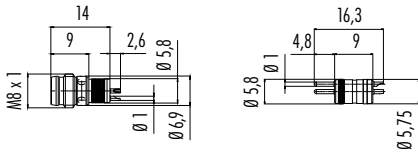
| | | | | | |
|---|--|----------|-----|-------------------------|-------------------------|
| Female angled connector, moulded, screw version, M8 x 1, LED, PNP | | 3 x 0,34 | PVC | 2 m | 77 3608 0000 20003-0200 |
| | | | | 5 m | 77 3608 0000 20003-0500 |
| | | 4 x 0,34 | PUR | 2 m | 77 3608 0000 50003-0200 |
| | | | | 5 m | 77 3608 0000 50003-0500 |
| | | PVC | 2 m | 77 3608 0000 20004-0200 | |
| | | | 5 m | 77 3608 0000 20004-0500 | |
| | | PUR | 2 m | 77 3608 0000 50004-0200 | |
| | | | 5 m | 77 3608 0000 50004-0500 | |



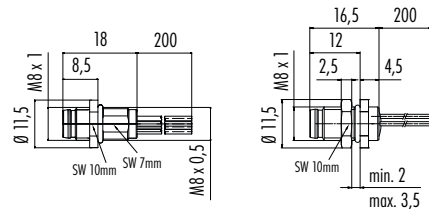
| | Contacts | Ordering-No. |
|---|----------|----------------|
| Male receptacle, short version, dip-solder, without LED | 3 | 09 3413 150 03 |
| | 4 | 09 3415 150 04 |



| | | |
|-------------------------------------|----------------|---------------|
| Male receptacle, solder/for M8 tube | 3 | 09 3413 00 03 |
| | 3 + LED red | 09 3413 40 03 |
| | 3 + LED yellow | 09 3413 41 03 |
| | 3 for M8 tube | 09 3411 70 03 |
| | 4 | 09 3415 00 04 |
| | 4 + LED red | 09 3415 40 04 |
| | 4 + LED yellow | 09 3415 41 04 |
| | 4 for M8 tube | 09 3389 70 04 |



| | Contacts | Fastened from back side | Front fastened |
|---|----------|-------------------------|----------------|
| Male panel mount connector, with single wires | 3 x 0,25 | 09 3403 00 03 | 09 3403 86 03 |
| | 4 x 0,25 | 09 3391 00 04 | 09 3391 86 04 |
| | 6 x 0,14 | 09 3463 00 06 | 09 3463 86 06 |
| | 8 x 0,14 | 09 3487 00 08 | 09 3487 86 08 |



fastened from back side

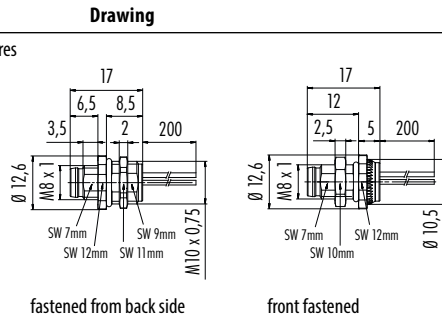
front fastened

| Specifications | Panel mount connector | | | | |
|----------------------|---|---|---|-------------------------------|---|
| | 3 | 4 | 5 | 6 | 8 |
| Contacts | 3 | 4 | 5 | 6 | 8 |
| Wire gauge | 0,25 mm ² (AWG 24) | | | 0,14 mm ² (AWG 26) | |
| Mechanical operation | > 100 Mating cycles | | | | |
| Temperature range | -40 °C / + 85 °C | | | | |
| Rated voltage | 60 V | | | 30 V | |
| Pollution degree | 3 | | | | |
| Rated current (40°C) | 4 A | | | 1,5 A | |
| Contact plating | Au (Gold) | | | | |
| Material of housing | CuZn (brass nickel plated), zinc diecasting nickel plated | | | | |

¹⁾ Standard cable length is 2 m/5 m. Other length on request.

Description

Male panel mount connector, with single wires



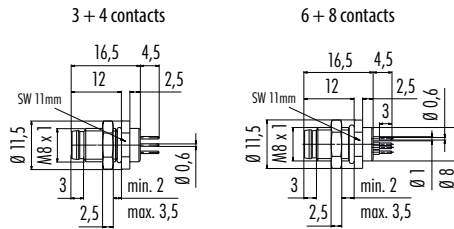
Contacts

Fastened from back side

Front fastened

| | | |
|----------|---------------|---------------|
| 3 x 0,25 | 09 3419 00 03 | 09 3419 86 03 |
| 4 x 0,25 | 09 3421 00 04 | 09 3421 86 04 |
| 5 x 0,25 | 09 3425 00 05 | 09 3425 86 05 |
| 6 x 0,14 | 09 3423 00 06 | 09 3423 86 06 |
| 8 x 0,14 | 09 3427 00 08 | 09 3427 86 08 |

Male panel mount connector, front fastened, dip-solder



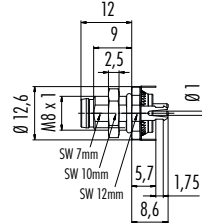
Contacts

Ordering-No.

| | |
|---|---------------|
| 3 | 09 3403 81 03 |
| 4 | 09 3391 81 04 |
| 6 | 09 3463 81 06 |
| 8 | 09 3487 81 08 |



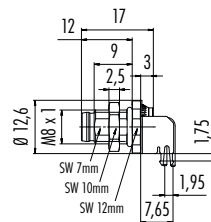
Male panel mount connector, front fastened, dip-solder, with shielding sheet



PCB thickness: 1,6 mm

| | |
|---|---------------|
| 3 | 09 3419 81 03 |
| 4 | 09 3421 81 04 |
| 5 | 09 3425 81 05 |
| 6 | 09 3423 81 06 |
| 8 | 09 3427 81 08 |

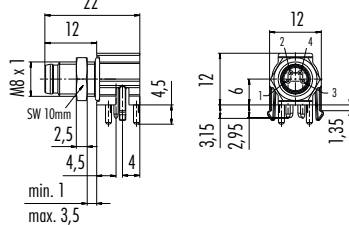
Male angled panel mount connector, front fastened, dip-solder, with shielding sheet



PCB thickness: 1,6 mm

| | |
|---|---------------|
| 3 | 09 3419 82 03 |
| 4 | 09 3421 82 04 |
| 5 | 09 3425 82 05 |
| 6 | 09 3423 82 06 |

Male angled panel mount connector, front fastened, dip-solder

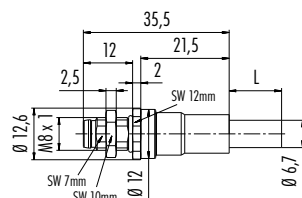


PCB thickness: 1,5 mm



| | |
|---|----------------|
| 3 | 99 3403 282 03 |
| 4 | 99 3391 282 04 |

Male panel mount connector, front fastened, with Ethernet cable



Contacts

Cable length

Ordering-No.

| | | |
|---|-------|----------------|
| 4 | 0,5 m | 70 3421 005 04 |
|---|-------|----------------|

NEW

Description

Drawing

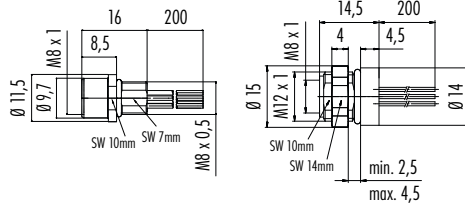
Contacts

Fastened from back side

Front fastened

Female panel mount connector, with single wires/front fastened, with single wires

| | | | |
|----------|---------------|--|---------------|
| 3 x 0,25 | 09 3412 00 03 | | 09 3412 86 03 |
| 4 x 0,25 | 09 3390 00 04 | | 09 3390 86 04 |
| 6 x 0,14 | 09 3462 00 06 | | 09 3462 86 06 |
| 8 x 0,14 | 09 3486 00 08 | | 09 3486 86 08 |

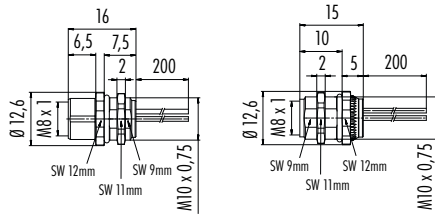


fastened from back side

front fastened

Female panel mount connector, with single wires/front fastened, with single wires

| | | | |
|----------|---------------|--|---------------|
| 3 x 0,25 | 09 3418 00 03 | | 09 3418 86 03 |
| 4 x 0,25 | 09 3420 00 04 | | 09 3420 86 04 |
| 5 x 0,25 | 09 3424 00 05 | | 09 3424 86 05 |
| 6 x 0,14 | 09 3422 00 06 | | 09 3422 86 06 |
| 8 x 0,14 | 09 3426 00 08 | | 09 3426 86 08 |

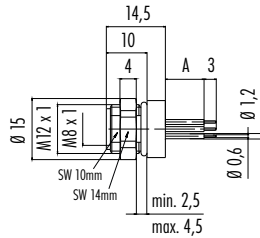


fastened from back side

front fastened

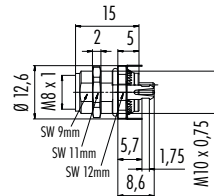
Female panel mount connector, front fastened, dip-solder

| Contacts | Contact length | Ordering-No. | |
|----------|----------------|----------------|--|
| 3 | 9,5 mm | 09 3412 80 03 | |
| | 4,7 mm | 09 3412 187 03 | |
| | 0,5 mm | 09 3412 186 03 | |
| 4 | 9,5 mm | 09 3390 80 04 | |
| | 4,7 mm | 09 3390 187 04 | |
| 6 | 0,5 mm | 09 3390 186 04 | |
| | 1,5 mm | 09 3462 80 06 | |
| 8 | 1,5 mm | 09 3486 80 08 | |



Female panel mount connector, front fastened, dip-solder, with shielding sheet

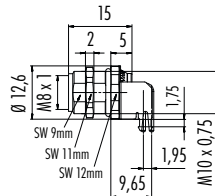
| Contacts | Ordering-No. |
|----------|---------------|
| 3 | 09 3418 81 03 |
| 4 | 09 3420 81 04 |
| 5 | 09 3424 81 05 |
| 6 | 09 3422 81 06 |
| 8 | 09 3426 81 08 |



PCB thickness: 1,6 mm

Female angled panel mount connector, front fastened, dip-solder, with shielding sheet

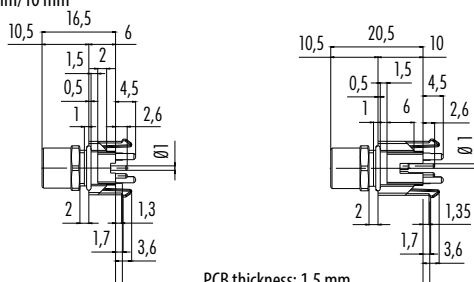
| | |
|---|---------------|
| 3 | 09 3418 82 03 |
| 4 | 09 3420 82 04 |
| 5 | 09 3424 82 05 |
| 6 | 09 3422 82 06 |



PCB thickness: 1,6 mm

Female panel mount connector, dip-solder, 6 mm/10 mm

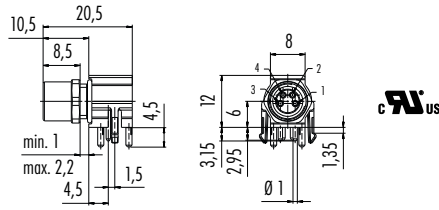
| Contacts | 6 mm | 10 mm |
|----------|----------------|----------------|
| 3 | 99 3412 281 03 | 99 3412 280 03 |
| 4 | 99 3390 281 04 | 99 3390 280 04 |



PCB thickness: 1,5 mm



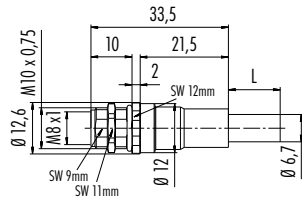
| Description | Drawing | Contacts | Ordering-No. |
|---|---------|----------|----------------|
| Female angled panel mount connector, front fastened, dip-solder | | 3 | 99 3412 282 03 |
| | | 4 | 99 3390 282 04 |



PCB thickness: 1,6 mm

| Description | Drawing | Contacts | Cable length | Ordering-No. |
|---|---------|----------|--------------|----------------|
| Female panel mount connector, front fastened, with Ethernet cable | | 4 | 0,5 m | 70 3421 005 04 |

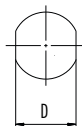
NEW



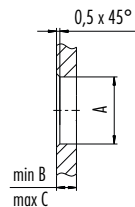
Panel cut out

Panel mount connector

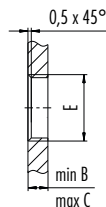
With flats as anti-rotation device



With bore hole



With thread to screw in

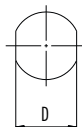


| Gewinde E/thread E | A | B | C | D |
|--------------------|------|-----|-----|-----|
| M8 x 0,5 | 8,1 | 2,5 | 3,5 | 7,1 |
| M10 x 0,75 | 10,1 | 2,5 | 5,0 | 9,1 |

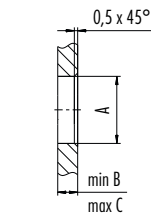
Tightening moment 1 Nm

Panel mount connector, front fastened

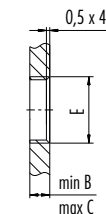
With flats as anti-rotation device



With bore hole



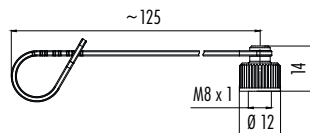
With thread to screw in



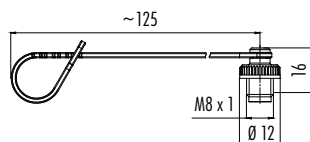
| Gewinde E/thread E | A | B | C | D |
|--------------------|------|-----|-----|------|
| M8 x 1 | 8,1 | 2,0 | 3,5 | 7,1 |
| M10 x 0,75 | 10,1 | 2,0 | 6,5 | 9,1 |
| M12 x 1 | 12,1 | 2,5 | 4,5 | 10,0 |

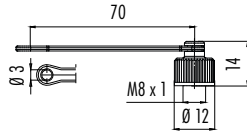
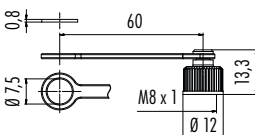
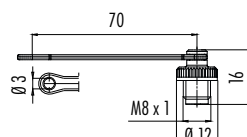
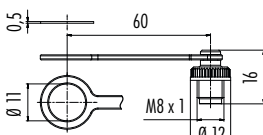
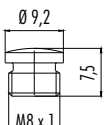
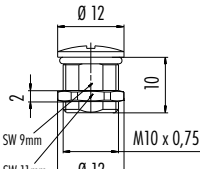
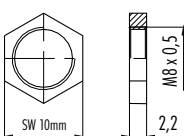
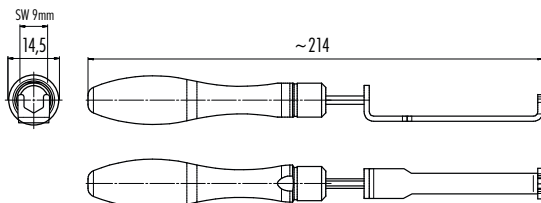
Tightening moment 1 Nm

| Description | Drawing | Ordering-No. |
|---|---------|-----------------|
| Protection cap for male cable connector | | 08 2840 000 000 |



| | | |
|---|--|-----------------|
| Protection cap for female cable connector | | 08 2841 000 000 |
|---|--|-----------------|



| Description | Drawing | Ordering-No. |
|---|--|-----------------|
| Protection cap for male panel mount connector |  | 08 2842 000 000 |
| Protection cap for male panel mount connector, for front mounting |  | 08 2972 000 000 |
| Protection cap for female panel mount connector |  | 08 2843 000 000 |
| Protection cap for female panel mount connector, for front mounting |  | 08 2973 000 000 |
| Protection cap for female connector |  | 08 2441 000 000 |
| Dummy plug M10 x 0,75 |  | 08 3130 000 000 |
| Hexagonal nut M8 x 0,5 |  | 01 0769 001 |
| Mounting tool for M8 locking ring, 0,4 Nm |  | 07 0085 000 |