

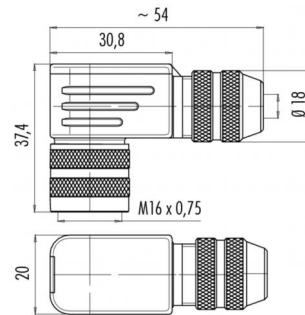
Product description **Contacts: 7 DIN, female angled connector, shieldable, cable outlet 6 - 8 mm, silver plated contacts, UL approval**

Area **M16 IP67 Series 423**  
 Order number **99 5682 75 07**

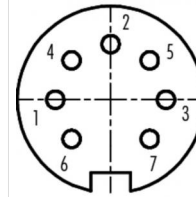
### Illustration



### Scale drawing



### Contact arrangement



	X	Y
1	-3,50	0,00
2	0,00	3,50
3	3,50	0,00
4	-2,47	2,47
5	2,47	2,47
6	-2,47	-2,47
7	2,47	-2,47

**You can find the component part drawing and assembly instructions on the next page.**

## Technical data

### General values

Connector design	female angled connector
Connector locking system	bolted
Termination	solder
Wire gauge (mm)	0,75 mm <sup>2</sup>
Wire gauge (AWG)	20
Cable outlet	6,0 - 8,0 mm
Upper limit temperature	95 °C
Lower limit temperature	-30 °C

### Cable data

Approval 1	UL
------------	----

### Electrical values

Rated current (40 °C)	5 A
Rated voltage	60 V
Rated impulse voltage	800 V
Pollution degree	1
Overvoltage category	I
Insulating material group	III
Volume resistivity	≤ 5 mΩ
Insulation resistance	≥ 10 <sup>10</sup> Ω
EMC compliance	shieldable
Degree of protection	IP67
Mechanical operation	> 500 Mating cycles

### Material

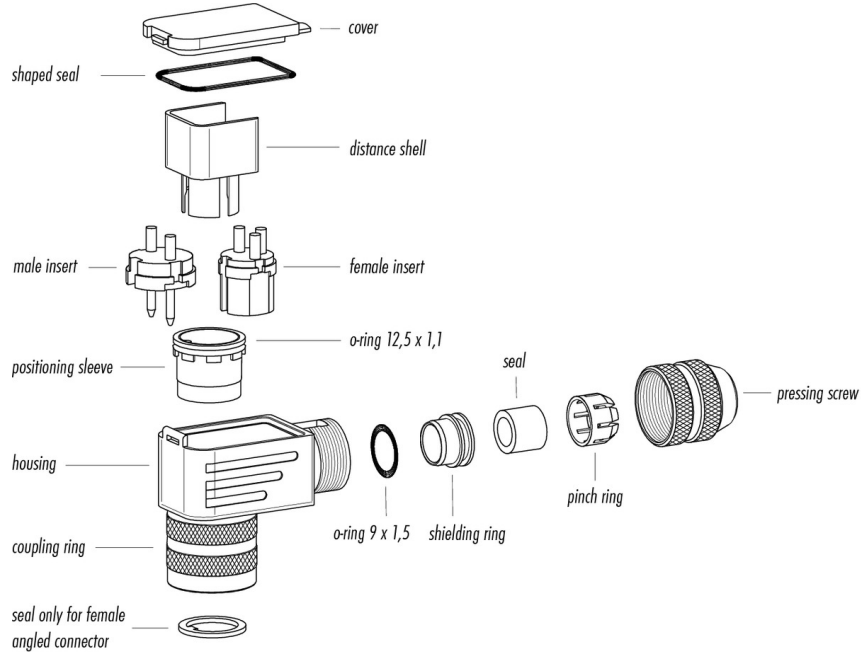
Contact material	CuSn (bronze)
Contact plating	Ag (silver)
Contact body material	PBT (UL 94 V-0)

Product description **Contacts: 7 DIN, female angled connector, shieldable, cable outlet 6 - 8 mm, silver plated contacts, UL approval**

Area **M16 IP67 Series 423**

Order number **99 5682 75 07**

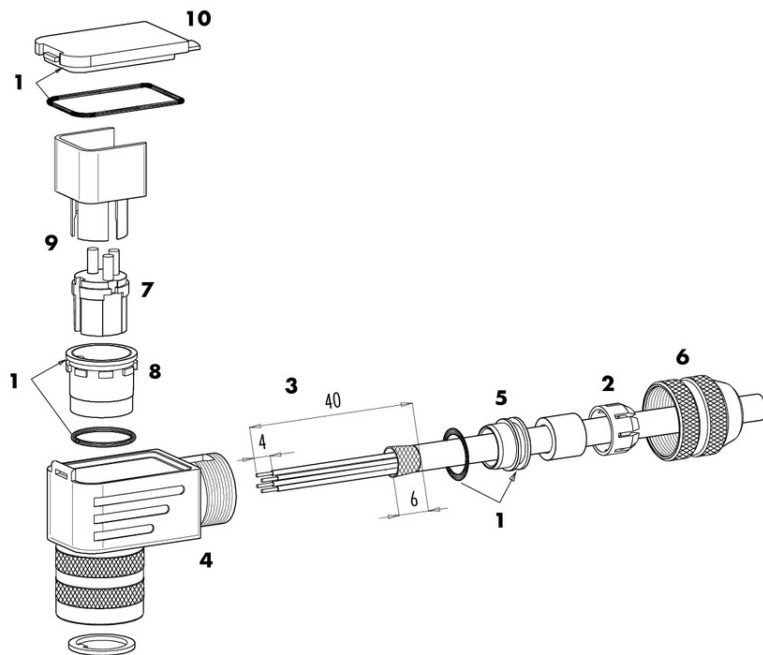
### Component part drawing



### Assembly instructions / Panel cut-out

**Angled version**

1. Assemble sealing rings (3x).
2. Bead cable parts.
3. Dismantle cable and shielding braid.
4. Push single wires through housing.
5. Mount shielding ring and pinch ring.
6. Slightly fix pressing screw.
7. Solder wires to insert.
8. Mount positioning sleeve in angled position.
9. Put in insert and distance sleeve.
10. Mount lid.
11. Fix pressing screw (approx. 10-20 Nm).



Product description	<b>Contacts: 7 DIN, female angled connector, shieldable, cable outlet 6 - 8 mm, silver plated contacts, UL approval</b>
Area	<b>M16 IP67 Series 423</b>
Order number	<b>99 5682 75 07</b>

## Security notices

The connectors are designed for use in plant, control system and electrical equipment. The end user is responsible for checking whether the connectors are suitable for use in other applications.

Connectors with degree of protection IP 67 and IP 68 are not suitable for use under water. When used outdoors, the connectors must be separately protected against corrosion. For further information about IP degrees of protection refer to 'Technical support' in the Download Centre.

To lock the cable connector to the equipment connector, the threaded ring is tightened until it is 'finger-tight' (approx. 50 cNm).